

# VACUSEAL MODEL 300

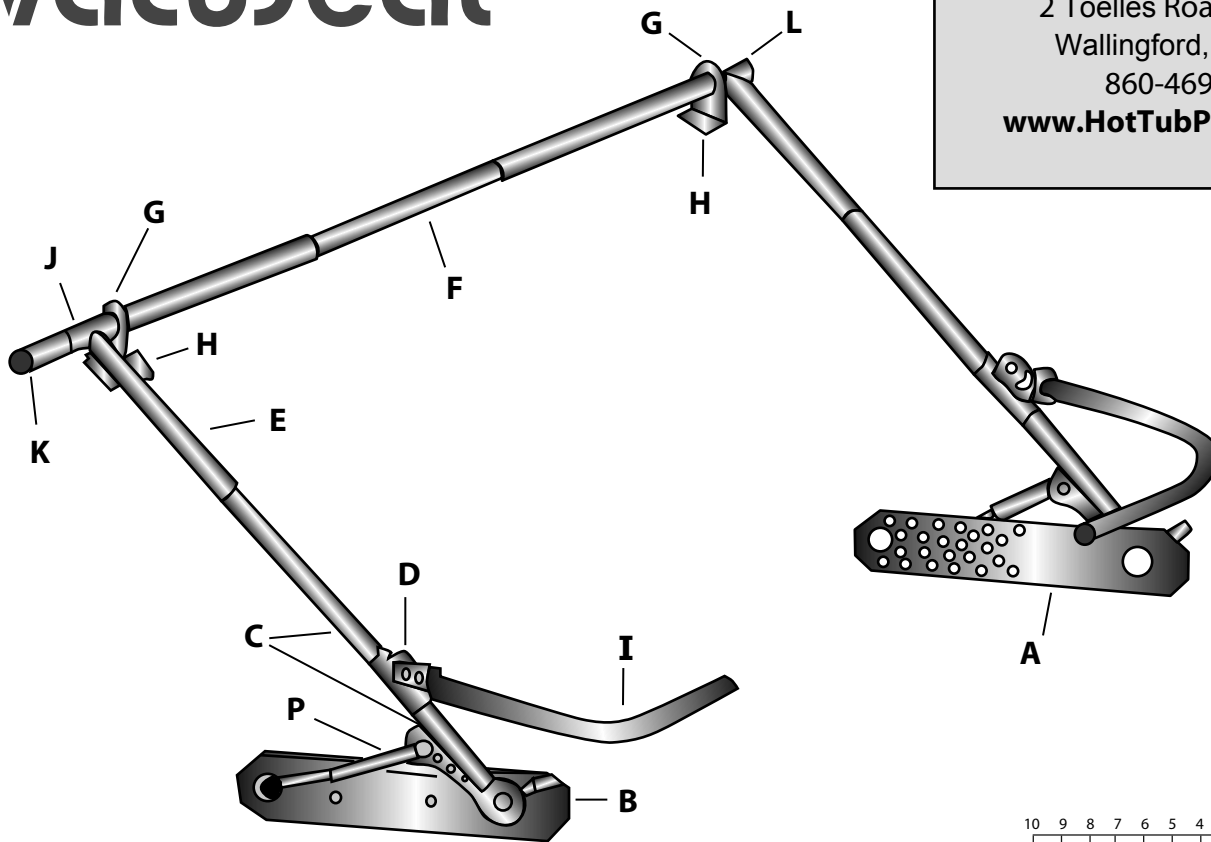
VacuSeal®

## HOT TUB PRODUCTS

2 Toelles Road, Suite 13  
Wallingford, CT 06492

860-469-2580

[www.HotTubProducts.com](http://www.HotTubProducts.com)



### SPAS NOT SUITABLE FOR INSTALLATION

1. Round Spas or those with a corner radius larger than 15". To determine radius (See fig 1).
2. Spas flush mounted into the ground or deck. A minimum 4" clearance is required to allow for installation of the mounting bracket (See fig 2).
3. Covers with hinge side of cover 61" long or less

### SPAS SUITABLE FOR INSTALLATION

If your spa has a radius corner of 11" to 14" you must install the VacuSeal Extended Bracket System (to determine the radius corner of your spa see Figure 1). This Extended Bracket System includes 2 brackets that add support to the primary Mounting Brackets along with a Rear Extension Tube attaching both Rear Support Bars. The Extended Bracket System comes in an independent package separate from the VS 300 Lifter and includes a separate installation addendum.

Figure 1

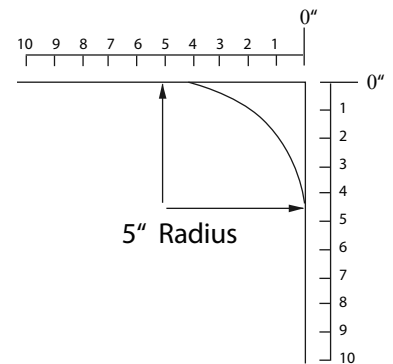
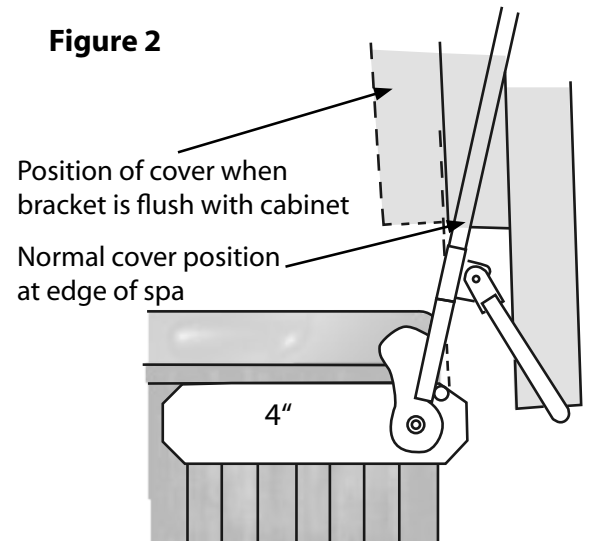
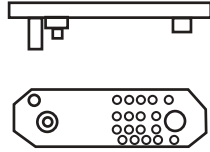


Figure 2

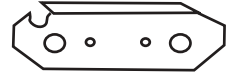


# PARTS LIST

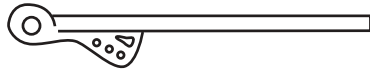
**A – Mounting Bracket (2) L/R** PART #VS128



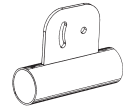
**B – Cover Plate (2) L/R** PART #VS133



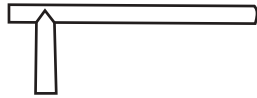
**C – Swing Arm (2)** PART #VS129



**D – Adjustable Bracket (2)** PART #VS134



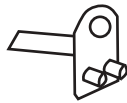
**E – Crossover Bar (2)** PART #VS130



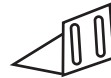
**F – Extension Tube (1)** PART #VS135



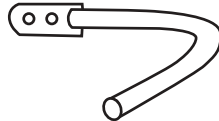
**G – Upper Clamp (2)** PART #VS131



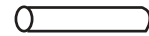
**H – Lower Clamp (2)** PART #VS136



**I – Rear Support Bar (2)** PART #VS132



**J – Handle Bar (1)** PART #VS137



**K – Foam Grip (1)** PART #VS110



**L – Plastic Plug (1)** PART #VS119



**M – Black Fender Washer (2)** PART #



**N – Lock Washer (2)** PART #VS125



**O – Ball Studs 5/16" – 18 (4)** PART #VS116



**P – Gas Springs (2)** PART #VS115



**Q – Hex Bolts 1/4" – 20 x 1/2" (4)** PART #VS121



**R – Nylon lock nuts 1/4" - 20 (8)** PART #VS122



**S – Hex Bolts 5/16" – 18 x .375 (2)** PART #124



**T – Nylon lock nuts 5/16"-18 (2)** PART #VS123



**U – Wood Screws #12 x 2" (28)** PART #VS120



**V – Self Taping Screws # 10 x 5/8" (20)** PART #VS113



**W – Machine Screws #10 – 32 x 1/2" (4)** PART #VS114



**X – Screw Caps (30) (2-Lg, 8 Med, 20-Sm)** PART #VS111, VS118, VS117



## TOOLS REQUIRED (\*POSSIBLY REQUIRED)



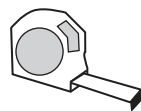
Screw Gun



Wrenches 1/2" & 7/16"



Drill Bit 9/64" & 1/8"



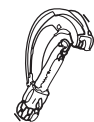
Tape Measure



#2 & #3 Phillips



Hand Saw\*



Tube Cutter\*

**IMPORTANT: Please fill out warranty card and mail in in order for warranty to be valid.**

### CAUTION!

Do not use the VacuSeal in high wind conditions. Injury from the spa cover being blown over and impacting the spa user can occur.

# VACUSEAL INSTALLATION INSTRUCTIONS

## CLEARANCE REQUIREMENTS

1. VacuSeal requires a 9" clearance at the rear of the spa for the cover to open (See fig 3). This may be lessened to 7" by installing the Mounting Bracket flush with cabinet but this will also position the cover to sit a few inches over the spa's coping.
2. If the furthest point of the spa (either the shell coping or the top rail) extends more than 1 1/4" from the face of the cabinet where the mounting bracket is to be mounted on (see fig 4) then you must install a wooden spacer behind the mounting bracket to keep it within 1 1/4".

## IMPORTANT CHECK FOR ADEQUATE SUPPORT

The Mounting Bracket requires a wood framing material of a least 1 1/2" thick for secure attachment. Most spas have a 2"x 2" horizontal wood interior frame at the top of the cabinet which is adequate for attachment. If you are not certain what is behind the cabinet panel where the mounting brackets are to be installed, remove cabinet panels and hold the Mounting Bracket in its intended position for installation. Make certain there are a minimum of 8 holes for a secure attachment (more is always better). If the interior frame does not have an adequate frame structure for attachment then you must adequately secure a wood structure (recommend a 2"x4" stud) to the existing cabinet frame.

Figure 3

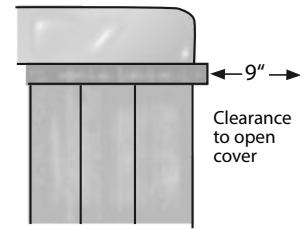
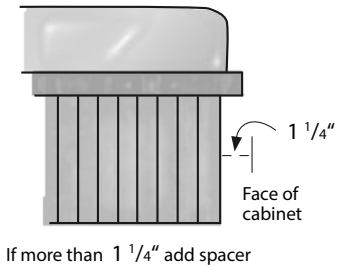


Figure 4



## FOLLOW STEPS IN PROPER SEQUENCE

### Step 1 – Cut Trim Strips (If Necessary)

The Mounting Bracket **A** must sit flush against cabinet so if your spa has a trim strip it must be removed, cut, and replaced (See Fig 5). Before removal hold Mounting Bracket under spa coping or top rail (do not screw in place), pencil mark the Trim Strip under Mounting Bracket, remove Trim Strip, cut at mark, and then reinstall after mounting bracket is installed.

**NOTE:** The mounting brackets are installed on each side of the cabinet and to the rear where the cover will be opened.

### Step 2 – Attach "Mounting Bracket Part 1

Measure 22" back from the back coping of the spa shell and mark with a pencil (See Fig 5). REMINDER: Make certain you have read the "CLEARANCE REQUIREMENTS" and "IMPORTANT CHECK FOR ADEQUATE SUPPORT" sections above >

### Step 3 – Attach "Mounting Bracket Part 2

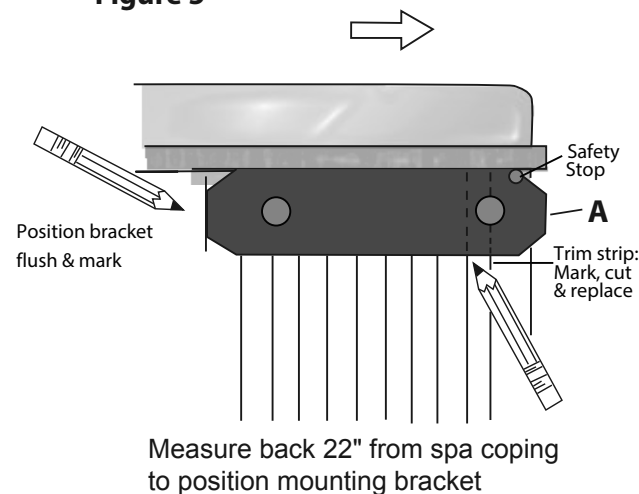
Position the Mounting Bracket **A** at the pencil mark. Make certain to use the bracket that positions the "Safety Stop" at the rear of the spa (See Fig 5). Hold Mounting Bracket this position and pre-drill into two of the holes using the 9/64" drill bit and then secure the Mounting Bracket by screwing in the Wood Screws **U** with a #3 Phillips head bit (See Fig 6). Repeat this procedure so that you have a minimum of 8 screws securing the mounting bracket to the cabinet, though more is always better.

**NOTE:** Pre-drilling the holes is important to prevent splitting of the wood interior. Be sure not to pre-drill more than 2" deep so as to prevent internal damage.

## IMPORTANT - FOR SWIMSPAS ONLY

Installing the VacuSeal on Swim Spas that include multiple covers is no different than a traditional hot tub. But in Step 5 "Position Cover on Spa" install all covers included on the Swim Spa. Once you have determined the final positioning of both covers install either of the two covers first. Once the first cover is installed make certain the positioning of the 2nd cover is sitting tight and snug against the first. This is important because each cover will return to its original position once installed.

Figure 5



#### Step 4 – Install “Cover Plate” (See Fig 7)

Position Cover Plate **B** over the Mounting Bracket and with a #2 Phillips head bit secure the Machine Screws **W** into the 2 center holes.

#### REPEAT STEPS 1 THROUGH 4 ON THE OTHER SIDE!

#### Step 5 – Position Cover on Spa

Position corners of Cover squarely on corners of Spa.

#### Step 6 – Install “Swing Arm”

Position 1 Teflon Washer **?** over the “Boss” closest to the rear of the spa and below the “Safety Stop”. Then Position the Swing Arm **C** on the Boss with the second Teflon Washer over it. Make certain the extended portion of the Swing Arm is positioned towards the interior of the spa (See Fig 7).

Over the center hole position first the Machined Washer **M**, then the Locking Washer **N**, and secure with 5/16 Hex Bolt **S**. Tighten securely so that the Lock Washer is compressed.

**M.** Machine Washer



**N.** Locking Washer



**S.** Hex Bolt



#### IMPORTANT NOTES:

If length of this side of the cover is less than 78” you may have to cut Swing Arm using the tube cutter. This can be determined by following instructions in Step 8 (position “Cross Over-Bar and “Upper Clamp” over cover slit and slide in the “Swing Arm”). If cutting is required make certain to measure and allow approx. 4” of Swing Arm to pass into the Crossover Bar so that it is visible through all of the pre-drilled holes.

Figure 6

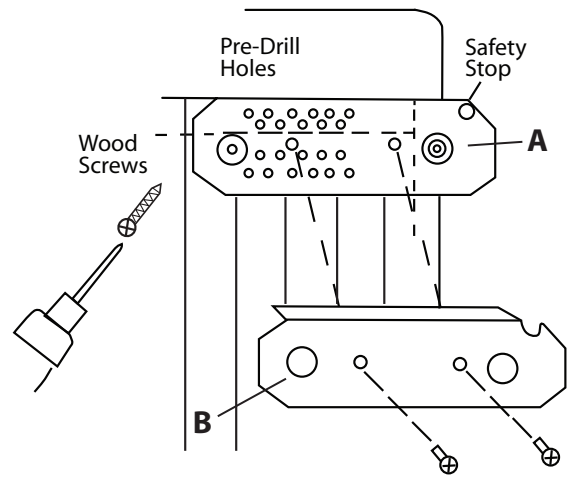
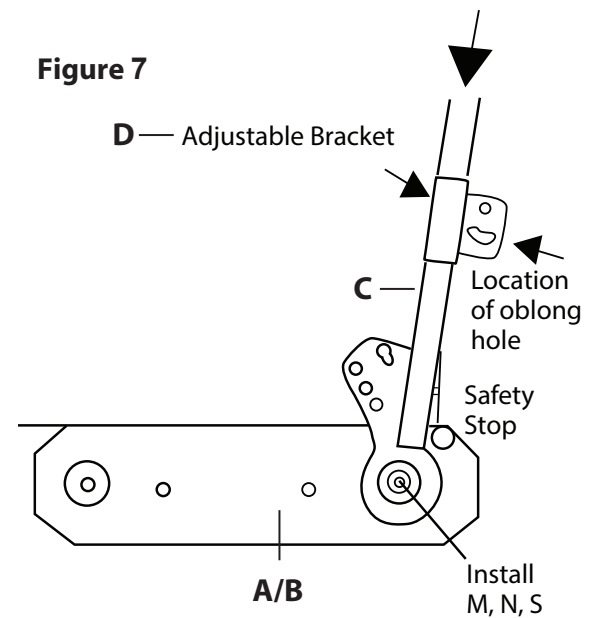


Figure 7



#### Step 7 – Slide on “Adjustable Bracket”

Slide the Adjustable Bracket **D** onto the Swing Arm (See Fig 7) making certain the larger oblong hole is positioned toward the bottom when Swing Arm is up and toward rear when swing is down. Leave unattached.

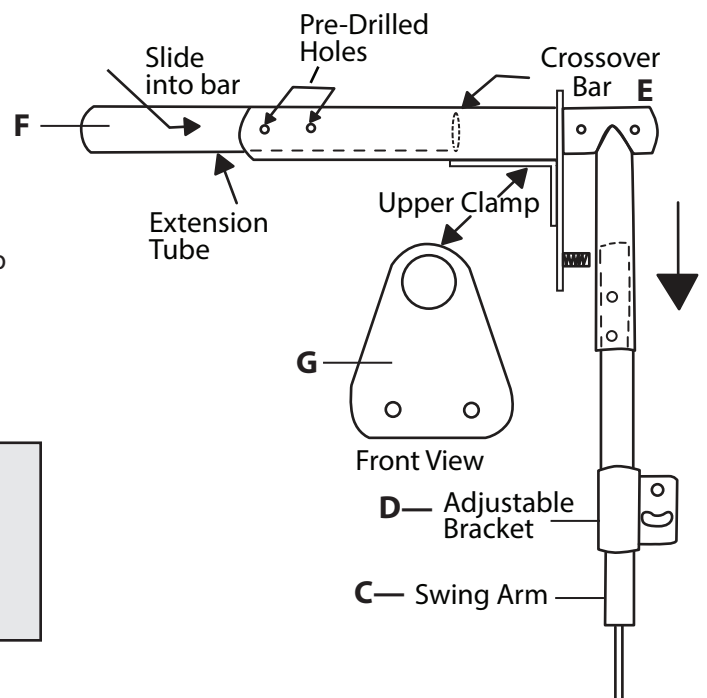
#### Step 8 – Position “Cross Over Bar”

Slide the longer side of the “Crossover Bar” **E** through the Upper Clamp **G** with clamp portion centered on top of cover above the slit in the cover flap. Then slide the shorter side of the “Crossover Bar” into the Swing Arm (See fig 8) with Adjustable Bracket unattached. Leave both the Swing Arm and “Crossover Bar” also unattached.

#### IMPORTANT NOTE:

If the width of the cover is less than 66” both long sides of the Crossover Bars will need to be cut equally to accommodate smaller cover width.

Figure 8



### Step 9 – Position “Extension Tube”

Put a pencil mark at the center of the Extension Tube **F** and slide it partially into the previously installed Crossover Bar, leave unattached and resting on the cover. The pencil mark will assist you later in positioning Extension Tube equally between both sides (See fig 9)

### Step 10 – Position 2nd “Crossover Bar” On Opposite Side

Move to opposite side of spa and slide the longer side of the 2nd Crossover Bar **E** through the 2nd Upper Clamp **G**. Then slide it over the other side of Extension Tube. Have the pencil mark on the Extension Tube equally distanced on both sides (See Fig 9). Leave all parts unattached.

**NOTE:** It is important to make certain the pre-drilled holes in each of the Crossover Bars are covered underneath by the Extension Tube.

### Step 11 – Install 2nd Swing Arm

Slide the 2nd Adjustable Bracket **D** onto the 2nd Swing Arm **C** again making certain that the larger oblong hole again faces up and towards the rear of the spa. Then slide the Swing Arm tube into the Crossover Bar and position rounded portion onto the larger Boss on the Mounting Bracket, (See Fig 10). Secure the Swing Arm just as it was done on the other side in Step 6 Fig 8. Again, make certain to tighten well enough to compress Lock Washer.

### Step 12 – Install “Bottom Clamps”

First make certain that both Upper Clamp **G** and the Crossover Bar **E** are still centered over the slits in the cover flap. Then slide the bottom half of the Lower Clamp **H** into the Slit on the Cover while positioning the slotted holes over the bolts on the Upper Clamp. Hand squeeze the two clamps together tightly, and install the Nylon Locking Nuts **R** securely, (See Fig 10).

**REPEAT ON THE OTHER SIDE.**

Figure 9

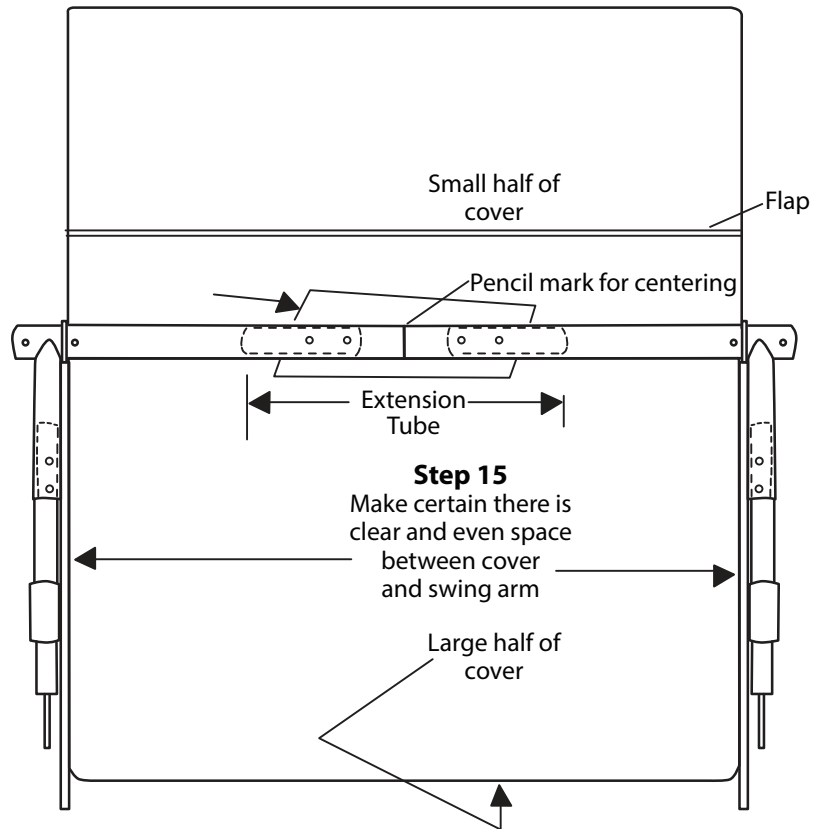
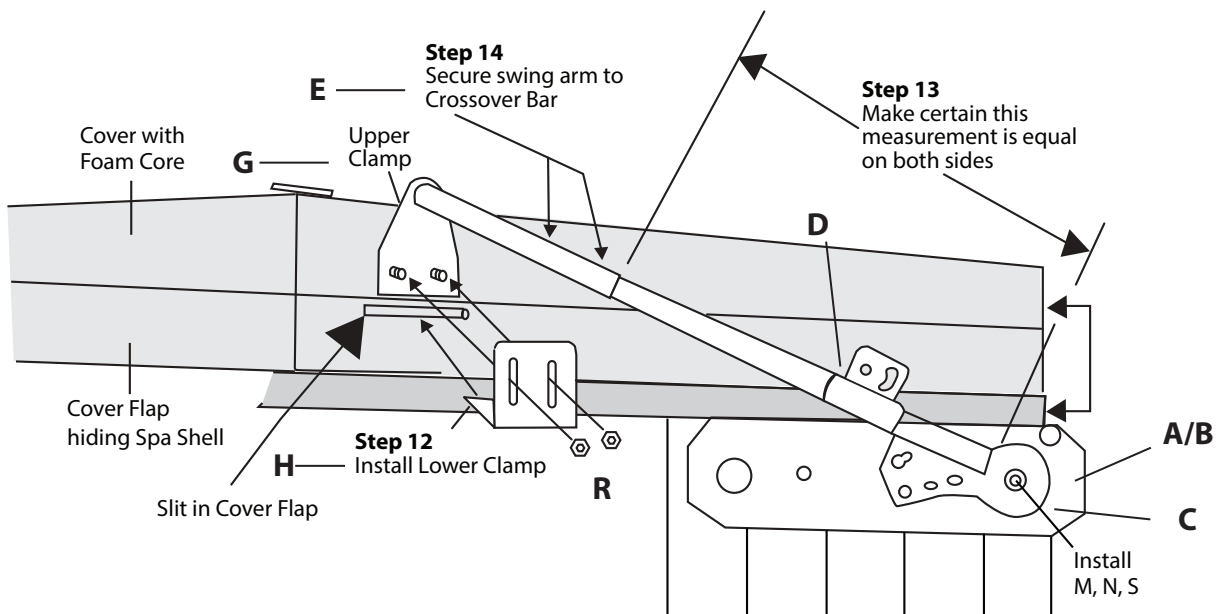


Figure 10



### Step 13 – Install Handle

If not pre-installed, fit the Foamed Handle Grip K into the Handle Bar J as far as it will go. Then determine which side you wish to have the Handle installed and slide it fully into the Crossover Bar on that side (See figure 11).

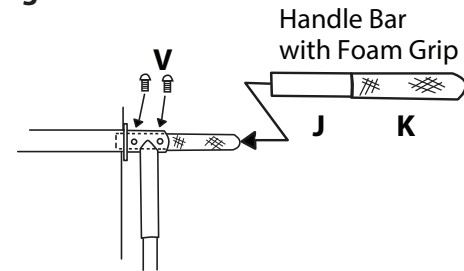
If you later change your mind the handle can be detached and installed on the opposite side if desired or you can order an additional handle for the opposite side.

### Step 14 – Secure Upper Clamp to Crossover Bar & Handle

**NOTE:** Make certain the Swing Arm is running parallel to the cover and there is clear even space between the Swing Arm and the Cover. This will allow Swing Arm to raise the Cover without any obstruction.

Then using the 1/8th bit pre-drill into the holes on the Upper Clamp as shown in Fig 9 and then install Self Taping Screws. **REPEAT ON OTHER SIDE**

Figure 11



### Step 15 – Secure "Swing Arms" to "Crossover Bars"

**NOTE:** Make certain the Cover is square on the spa and then measure the distance of the Swing Arm to its connection point on the Crossover Bar and make sure the distance is equal on both sides (See Fig 11).

### Step 16 – Install "Rear Support Bar" to Cover

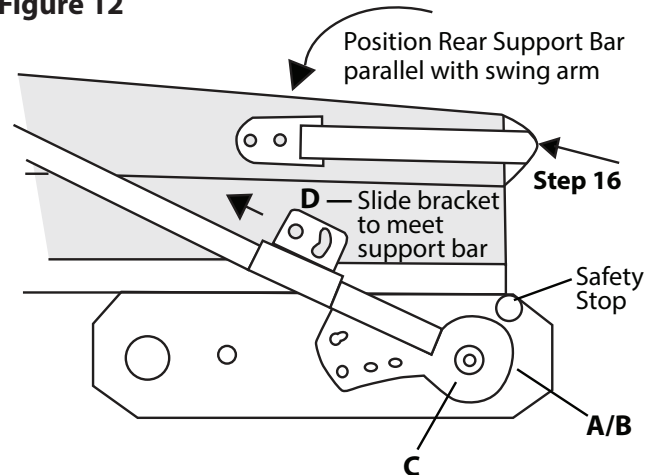
Slide the rounded side of the Rear Support Bar I into the back sleeve of the cover until it is parallel with the Swing Arm (See Fig 12).

### Step 17 – Attach to "Adjustable Bracket"

Position the holes in the flat end of the Rear Support Bar so that it aligns with the holes in the Adjustable Bracket (See Fig 12) and secure them together with two Hex Bolts Q and two Nylon Lock Nuts R (See Fig 13).

Next using a 1/8" bit pre-drill into the one accessible pre-existing hole on the top of the Adjustable Bracket and then secure with a Self-Tapping Screw. The non-accessible pre-drilled hole will not require a screw (See Fig 13).

Figure 12



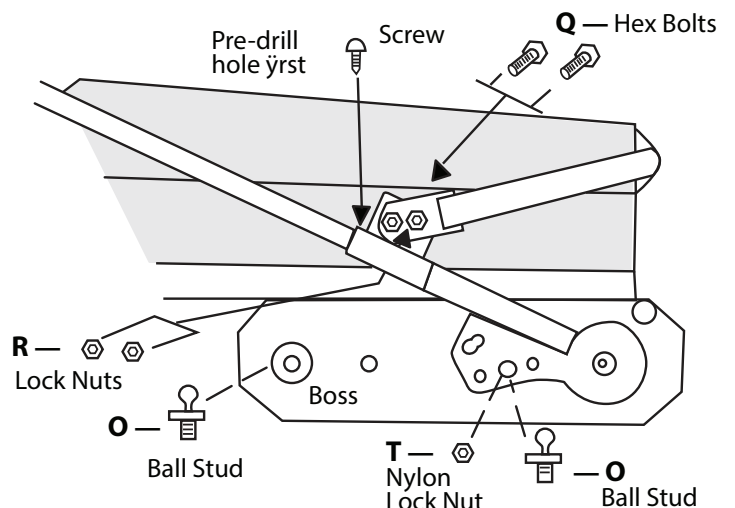
### REPEAT STEPS 16 & 17 ON THE OTHER SIDE

### Step 18 – Install "Ball Studs"

With Cover in closed position hand screw one of the Ball Studs O onto the open interior Boss on the Mounting Bracket and securely tighten with wrench.

Then install the 2nd Ball Stud through the middle hole on the Swing Arm and secure it with a Nylon Lock Nut utilizing the two wrenches (See Fig 13).

Figure 13



**NOTE:** The additional holes allow for adjustment if Swing Arm does not rest properly on Safety Stop.

### REPEAT ON THE OTHER SIDE.

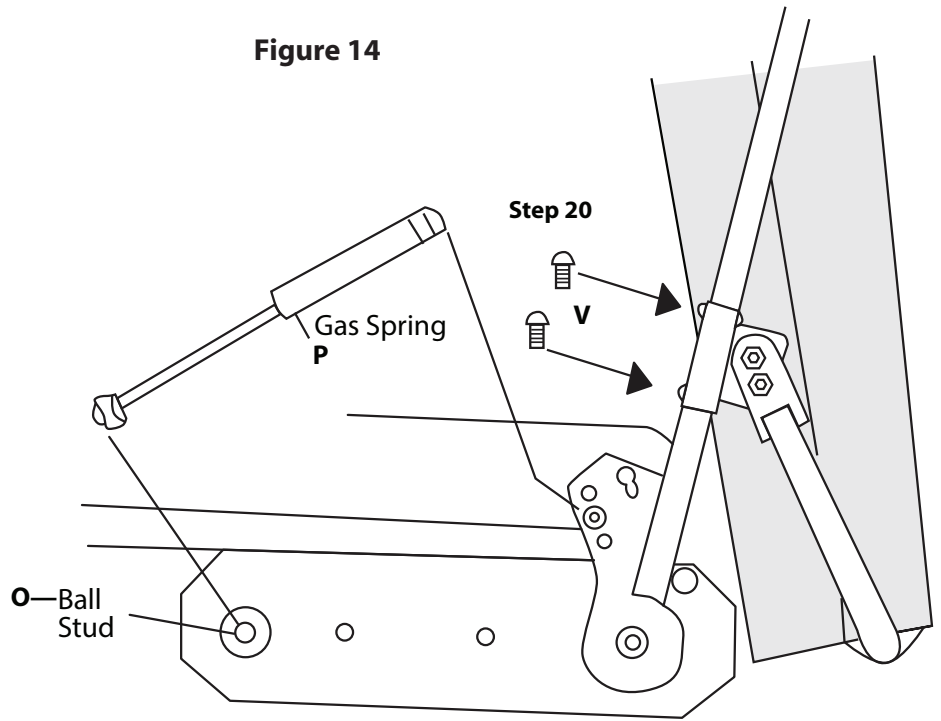
### Step 19 – Install Gas Springs

Lift the cover into the open position (this will require effort since the gas springs have yet to be installed) and install the large barrel of a Gas Spring into the Ball Stud on the Swing Arm and the narrow barrel into the Ball Stud on the Mounting Bracket (See Fig 14).

**Gas springs should snap onto Ball Studs.**

### Step 20 – Secure “Adjustable Bracket”

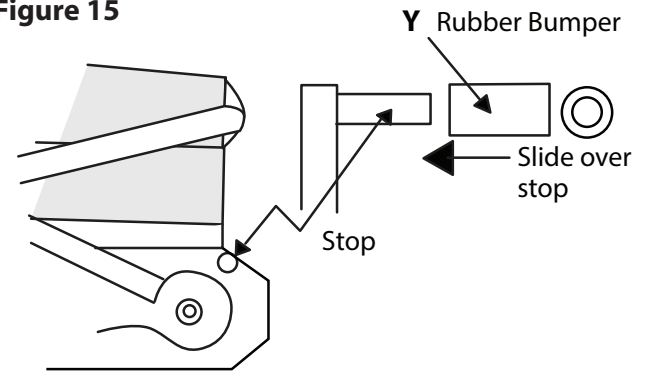
With the Cover in the open position use the 1/8” bit to pre-drill into the two bottom holes on the Adjustable Bracket and then install two Self Taping Screws (See Fig 14)



### Step 21 – Install Rubber Sleeve onto Safety Stop (See Fig 15)

Close the Cover and slide Rubber Sleeve Y onto Safety Stop on the Mounting Bracket. Then raise Cover to ensure that Swing Arm touches the Rubber Sleeve. If not, move Ball Stud on Swing Arm to a different hole.

Figure 15



**NOTE:** The lower the hole that you use the further back the Cover will sit from the spa.

### Step 22 – Secure "Crossover Bar" to "Extension Tube"

Using a 1/8” bit drill holes into all pre-existing holes on the long side of each Crossover Bar making certain the Extension Tube is visible, then install Self Taping Screws (See Fig 9). This attachment can be done when the cover is in the up or down position

**Important: Be sure to place a piece of ply score or some sort of protection in the cover while you are installing the screws. Damage to the cover during installation is not covered in the warranty.**

### Step 23 – Install “Plastic Covers”

Install all Small Plastic Covers X on all the Self Taping Screws, Medium Plastic Covers on the bolts to the Clamping Brackets and Adjustable Brackets, Large Plastic Covers on the Swing Arm bolts.

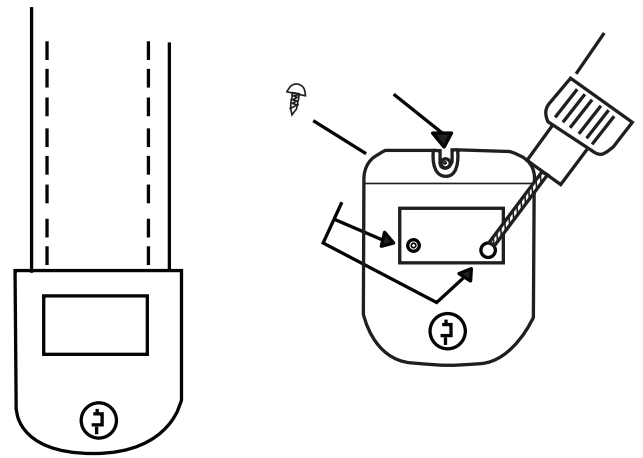
Install Plastic Plug L into the side of the Crossover Bar that does not have the Handle. Install the other Plastic Plugs on the open ends of the Rear Support Bars if they extend beyond the pocket of the Cover.



### Step 24 – Install Locking Straps

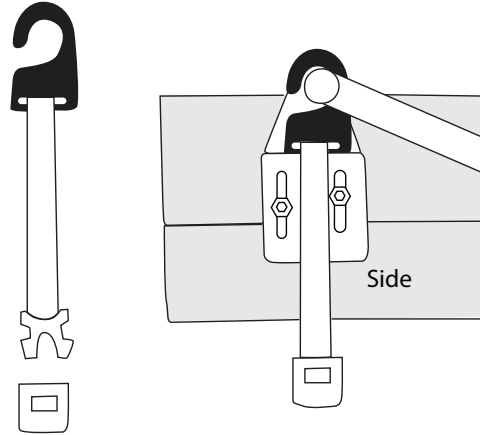
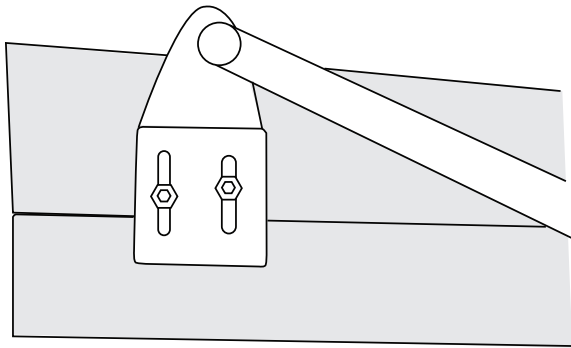
Install the female part to the Locking Straps to the Hot Tub Cabinet making certain that they each match up with the extended Male Part (See Fig 17).

Figure 17



## OPTIONAL ACCESSORIES

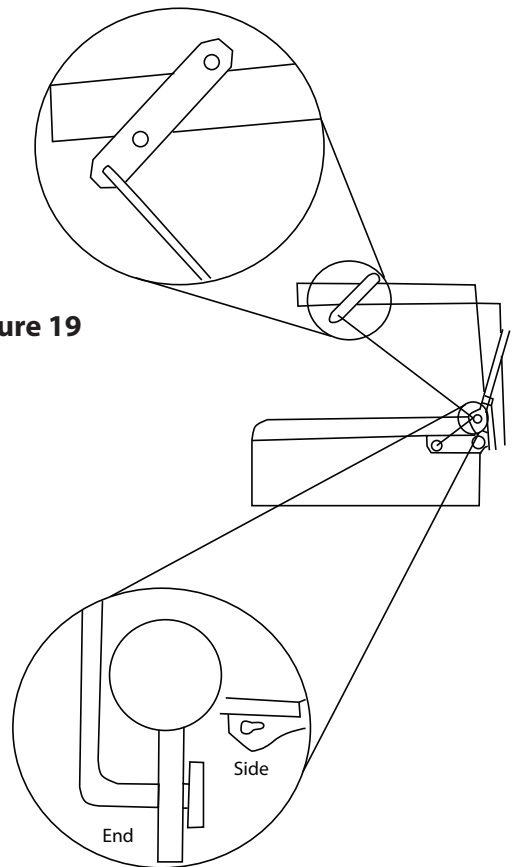
Figure 18



### Step 25 - Installing Optional Lifter Lock

Place the hook portion Lifter Lock on the Crossover Bar between the Upper Clamp and the interior "T" section. Then extend the strap with the lock mechanism attached. Once you have positioned the lock on the cabinet remove the male portion that includes the strap and install screws into the open holes (See Fig 18).

Figure 19



### Step 26 - Installing Canopy Arm

Insert one end of the Canopy Arm into the elongated key opening on the extended portion of the Swing Arm. Then raise the short side of the cover so that it is parallel with the spa and slide the prong closest to the canopy arm on the bottom of the cover and the other prong on the top of the cover. Once the Canopy Arm is in place make certain the arm is locked firmly into the key on the Swing Arm and test that the cover is supporting substantial weight by pulling down on the cover.